

# Panasonic

## HID Cerameta Premier S

eco ideas

### ▶ Easy maintenance

Adopting 'Triple-envelope' structure

▶ Front cover glass in luminaries are not required

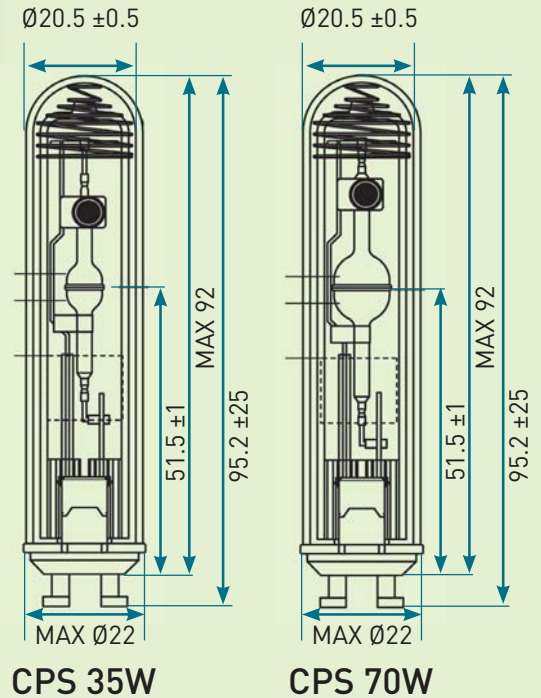
### ▶ High performance

High CRI and High efficacy in Industry: CRI: 96  
Efficacy: 100lm/W

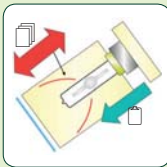
(at 70W white color)

### ▶ Long lasting

Lumen maintenance:  
**80% at 12,000h**

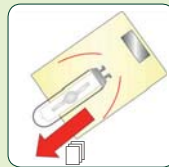


### Common lamps Cerameta premier S



Has to remove with Socket or reflector

Remove the bulb

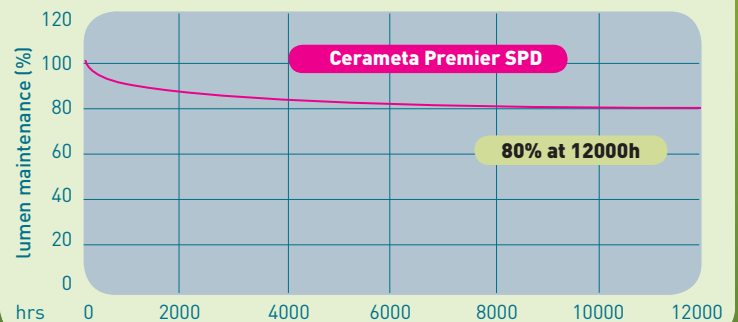


Remove the bulb

2 steps for Lamp replacement

Easy replacement!

### Lumen maintenance curve



PRELIMINARY		CPS 35W 3000K	CPS 70W 3000K	CPS 35W 4200K	CPS 70W 4200K
Lamp wattage	(W)	39	73	39	73
Luminous flux	(lm)	3300	7300	3300	7300
Lamp efficacy	(lm/W)	85	100	85	100
Color temperature	(K)	3000	3000	4200	4200
Color rendering Index	(CRI)	93	93	96	96
Lamp lumen maintenance factor at 12000h	(%)	80	80	80	80
Rated life time	(h)	12000	12000	12000	12000
Operating position		Universal	Universal	Universal	Universal
Base		GU8.5	GU8.5	GU8.5	GU8.5
<b>Dimensions</b>					
Nominal overall	(mm)	95.2	95.2	95.2	95.2
Max. overall	(mm)	97.7	97.7	97.7	97.7
Max. diameter (Bulb)	(mm)	21.0	21.0	21.0	21.0
LCL	(mm)	51.5	51.5	51.5	51.5



**HID Cerameta Premier S**



**Electronic Ballasts M3|K34**



**Ceramic Lampholders**



04/2010

## New Panasonic Lamp Revolutionises Market

Vossloh-Schwabe provides an all-round package for Panasonic's revolutionary Cerameta Premier S discharge lamp.

### Ballast + Lampholder + Lamp

Delivering an impressive colour-rendering index (CRI 96), high efficiency (100 lm/W) and low loss of luminous flux (80% over 12,000 hours), the 35 W and 70 W Cerameta Premier S is the smallest triple-envelope HID lamp on the market.

As the lamp's "triple-envelope" design prevents any danger of the lamp bursting, it also means there is no need for a front luminaire cover – which in turn makes room for ever smaller luminaire designs. In addition, being able to replace defective lamps at the front of a luminaire increases ease of maintenance.

Standard M3 and K34 ballasts with tried-and-tested quality features such as compact design, improved ignition, temperature protection and an A2 energy efficiency rating are perfect for operating the new lamp. What is more, all of these features already comply with the EU's minimum requirements due to take effect in 2017. These electronic ballasts are also suitable for operating 35 W or 70 W HI lamps with a G8.5, G12, PG-12-2, RX7s or E27 base.

Lampholders made of high-quality materials (ceramics/LCP) round the package off. The "Twist and Lock" bayonet fitting not only guarantees a perfect and secure lamp fit, but also ensures the best possible lamp position within the reflector. All lampholders are fitted with push-in connectors. On request, these connectors can also be provided with assembled leads.

The new GU8.5 lampholders feature the same mounting hole layout and lamp focus as G12 lampholders for effortlessly interchangeable lamp technologies.

## Interchangeable lamp technologies

